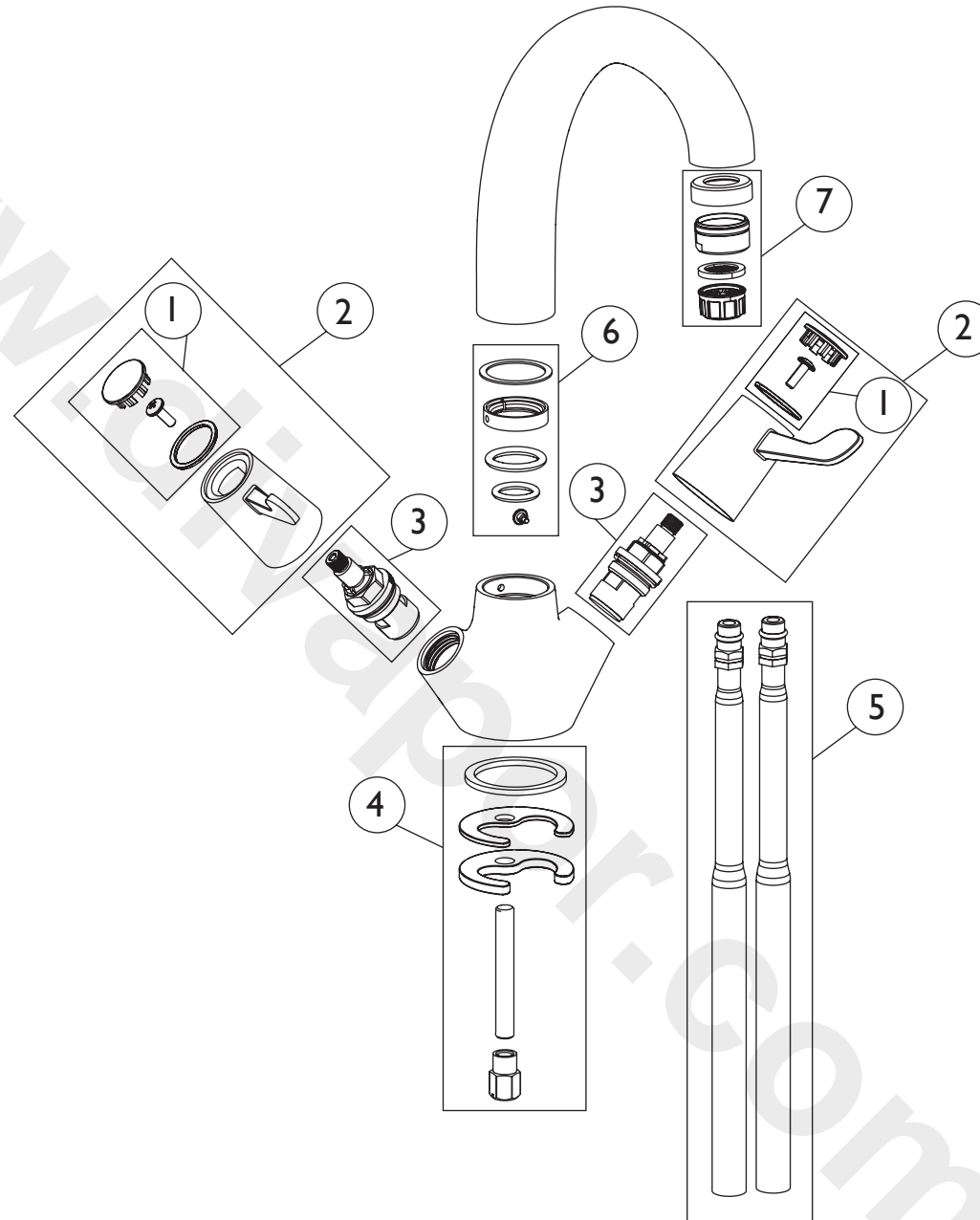


**Product Code:** VAL SNK C CD

**Revision:** D2



1	Indice & Cap
2	Handle Assembly
3	Hot & Cold CD Valves
4	Fixing Kit
5	Inlet Connection
6	Spout Seals Kit
7	Flow Limiter